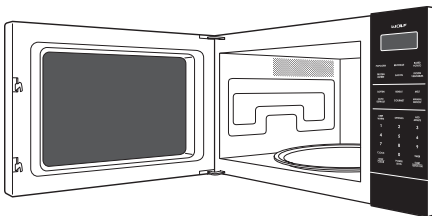


FEATURES

- Built-in or freestanding option for design versatility.
- Built-in trim kits available to match Wolf L and E series ovens.
- Large-capacity interior.
- Easy-to-operate control panel and programmable power options.
- Sensor cooking to monitor and adjust settings.
- Warming feature for gentle heating.
- Turntable is removable for easy cleaning.
- Interactive display with timer up to 99 minutes.
- English, French and Spanish language options.
- Menu label and food guide.
- Interior light and window in door.
- One-touch door open pad.
- Safety door latches will not allow oven to operate unless door is closed.



MODEL OPTIONS

STANDARD MICROWAVE

Model	MS24
-------	------

BUILT-IN TRIM KITS

- 27" E series.
- 30" E series.
- 30" L series.

Optional trim kits are available through an authorized Wolf dealer. For local dealer information, visit the find a showroom section of our website, wolfappliance.com.

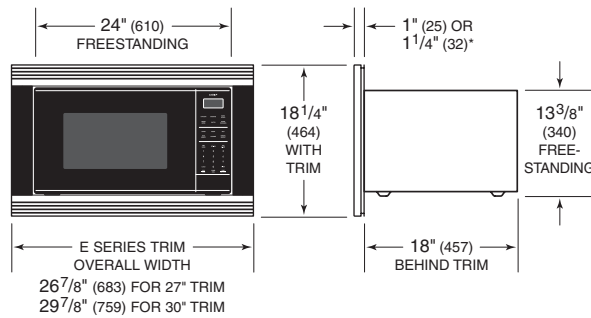
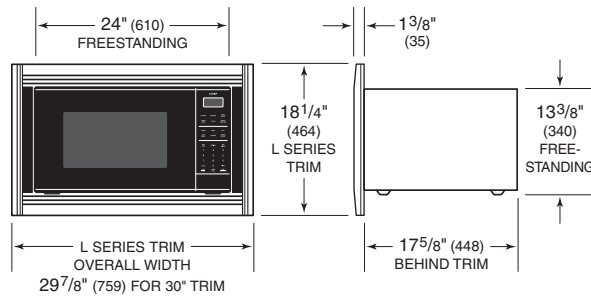
SPECIFICATIONS	
PRODUCT	
Dimensions	24"W x 13 ³ / ₈ "H x 19 ¹ / ₈ "D
Weight	50 lb
OVEN INTERIOR	
Capacity	2.0 cu ft
Dimensions	17 ³ / ₈ "W x 10 ¹ / ₂ "H x 18 ⁵ / ₈ "D
ELECTRICAL	
Power	1200 W
Supply	120 VAC, 60 Hz
Service	15 amp circuit
Power Cord	4 ft

If the microwave oven is built in, a trim kit is required for proper ventilation.

Specifications are subject to change without notice. Visit wolfappliance.com/specs for the most up-to-date information.

Dimensions may vary ±1/8" (3). Dimensions in parentheses are millimeters unless otherwise specified.

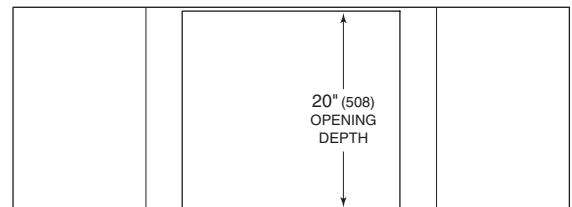
DIMENSIONS



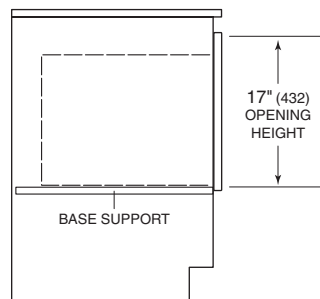
*1/4" (32) for contemporary E series trim only.

OPENING WIDTH	
TRIM	W
27" Trim	25 1/4" (641)
30" Trim	27 1/2" (699)

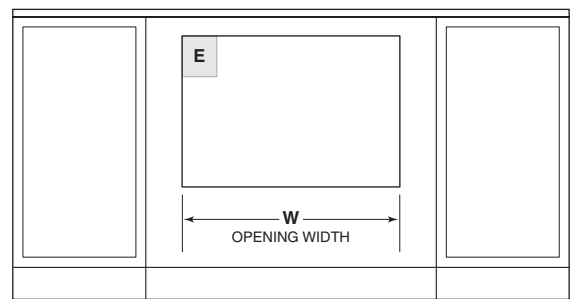
INSTALLATION WITH TRIM



TOP VIEW



SIDE VIEW



FRONT VIEW

NOTE: Dashed line represents profile of unit.